

# ALTAIR V4 DN25/32/40

VOLUMETRIC METER

**DIEHL**  
Metering



## APPLICATION

ALTAIR V4 represents the latest generation of volumetric meters developed within the framework of the MID and European standards to meet field requirements.

ALTAIR V4 is a particularly compact and robust meter, adapting to the most restrictive environments and compatible with varying water qualities.

Modular, ALTAIR V4 may be fitted at any time with an IZAR clip-on module converting it into a communicating meter, ready for mobile or fixed network (radio/wired) reading.

## FEATURES

- ▶ DN25/32/40
- ▶  $Q_3=6.3 \text{ m}^3/\text{h}$  (DN25/32) and  $Q_3=16 \text{ m}^3/\text{h}$  (DN40)
- ▶ MID approval up to  $R=800$  (DN25/32) and  $R=1,000$  (DN40)
- ▶ Starting flow rate at 1 l/h (DN25/32) and 4 l/h (DN40)
- ▶ Brass body
- ▶ Glass-copper register
- ▶ Compact
- ▶ Installation in any position

# ALTAIR V4 DN25/32/40

## VOLUMETRIC METER

### METROLOGICAL DATA

Nominal diameter	DN	mm	25	32	40
Length*	L	mm	260	260	300
Nominal flow rate	Q <sub>3</sub>	m <sup>3</sup> /h	6.3	6.3	16
R standard*	Q <sub>3</sub> /Q <sub>1</sub>		160	160	160
Starting flow rate		l/h	1	1	4
Minimum flow rate*	Q <sub>1</sub>	l/h	39.375	39.375	100
Transition flow rate*	Q <sub>2</sub>	l/h	63	63	160
Maximum flow rate	Q <sub>4</sub>	m <sup>3</sup> /h	7.875	7.875	20
Head loss at Q <sub>3</sub>		bar	0.616	0.611	0.630
Head loss at Q <sub>4</sub>		bar	0.962	0.955	0.984
Kvs (deltaP=Q <sup>2</sup> /Kvs <sup>2</sup> )			8.03	8.06	20.16

\* Other values on request.

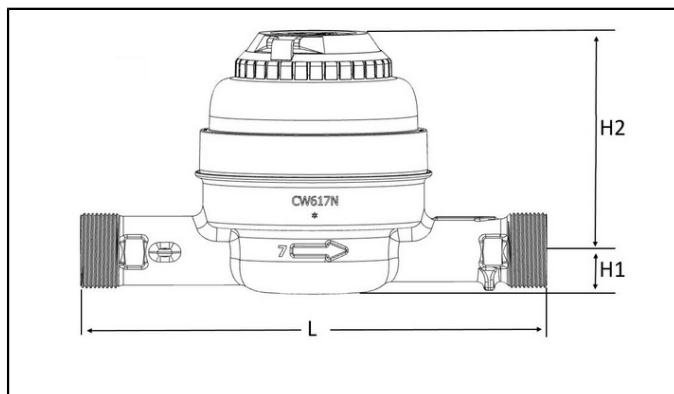
### APPROVAL

ALTAIR V4 DN25/32/40	
MID approval	LNE-6250   Type A2
Standards	EN 14154   ISO 4064   OIML R49
Sanitary conformity	ACS   Belgaqua   KTW   WRAS

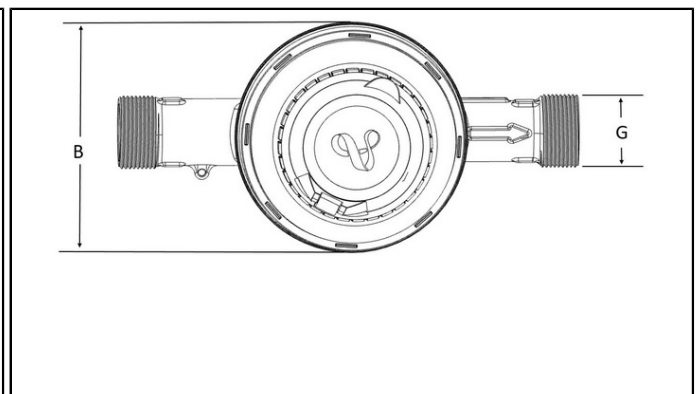
### TEMPERATURES AND PRESSURE

ALTAIR V4 DN25/32/40	
Water temperature	°C 0.1 ... +50
Ambient operating temperature	°C +1 ... +55
Storage temperature	°C -10 ... +55
Nominal pressure	PN bar 16

### DIMENSIONS



Front view



Top view

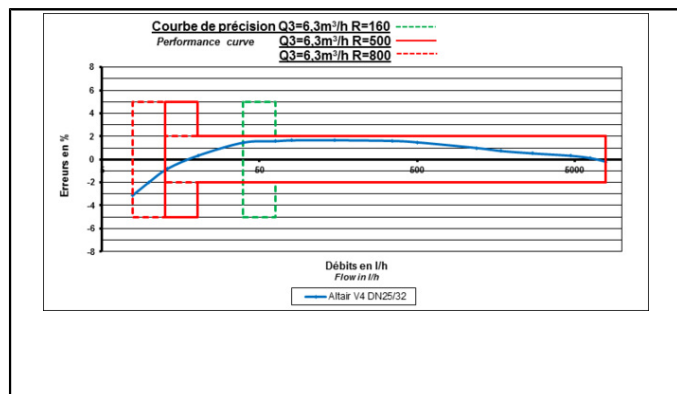
Nominal diameter	DN	mm	25	32	40
Length*	L	mm	260	260	300
Width	B	mm	132	132	179
Height	H1	mm	24.3	24.3	30.5
Height	H2	mm	120.3	120.3	153.5
Thread connections	G	inch	1"1/4	1"1/2	2"
Body			Brass	Brass	Brass
Weight		kg	2.71	2.78	5.44

\* Other values on request.

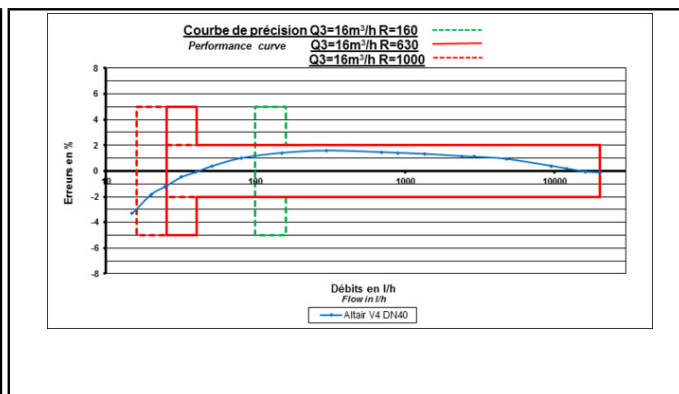
# ALTAIR V4 DN25/32/40

VOLUMETRIC METER

## PRECISION CURVE



DN25/32



DN40

This technology does not require straight length.

## OPTIONS

- Non-return valve
- Pair of connectors